

SPECIFICATION FOR APPROVAL

产品规格书

DESCRIPTION : SMD BUZZER
PART NO. : HYG-9019A
USER' S PART NO. :
DATE : 2017.02.23
CUSTOMER APPROVED :

Approved By	Checked By	Made By

兴化市华宇电子有限公司

地址：兴化市陈堡工业区

电话：0523-86655667

手机：15061045003 E-Mail:china_hydz@163.com

[Http://www.js-huayu.com](http://www.js-huayu.com)

HYG-9019A

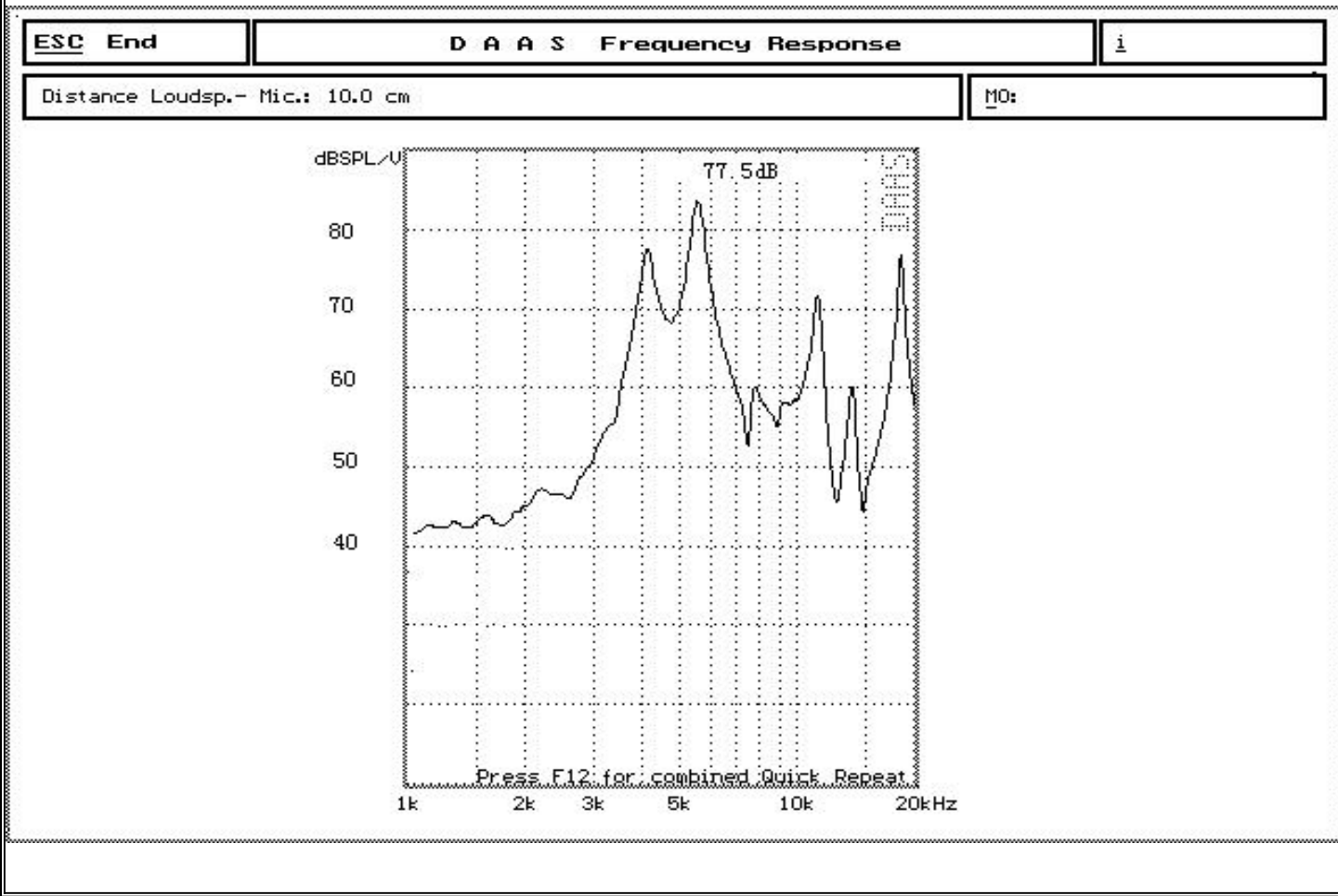
DATE:2017.02.23

1 . Electrical Characteristics

VER :.0

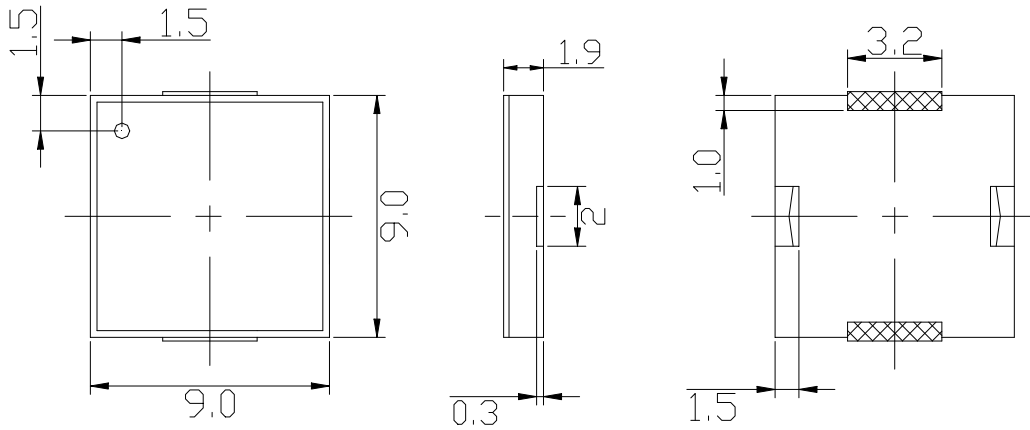
Operating Voltage	Max20Vp-p
Current Consumption	Max 1mA at 3Vp-p/Square Wave/4.0KHz
Sound Pressure Level	Min 65dB at 10cm/ 3Vp-p/Square Wave/4.1KHz
Electrostatic Capacity	12000±30%pF at 1 KHz/1V
Operating Temperature (°C)	-20~ +70
Storage Temperature (°C)	-30 ~ +80
Dimension	L9×W9×H2.0mm

2 . Typical Frequency Response Curve



3 . Dimensions and Material

3-1 Shape



Unit: mm Tol: ± 0.3

3-2 Material

Housing	LCP plastic resin (Color : White)
Terminal	SMD Type
Weight (Gram)	0.35

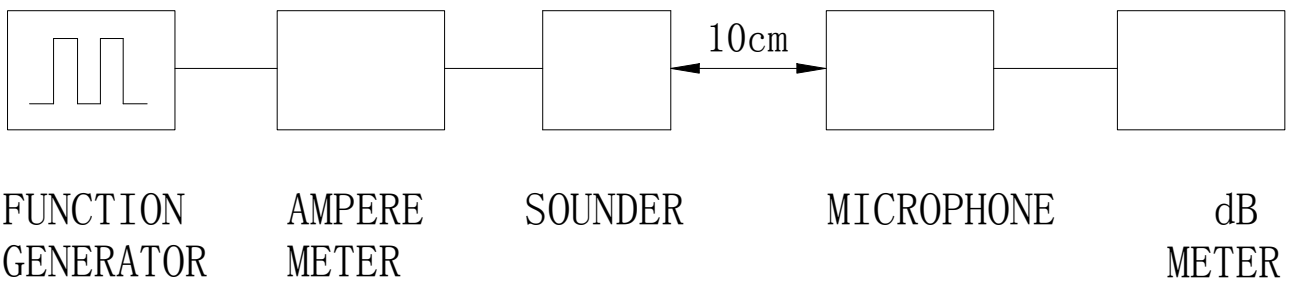
4. TESTING METHOD

• **Standard Measurement conditions**

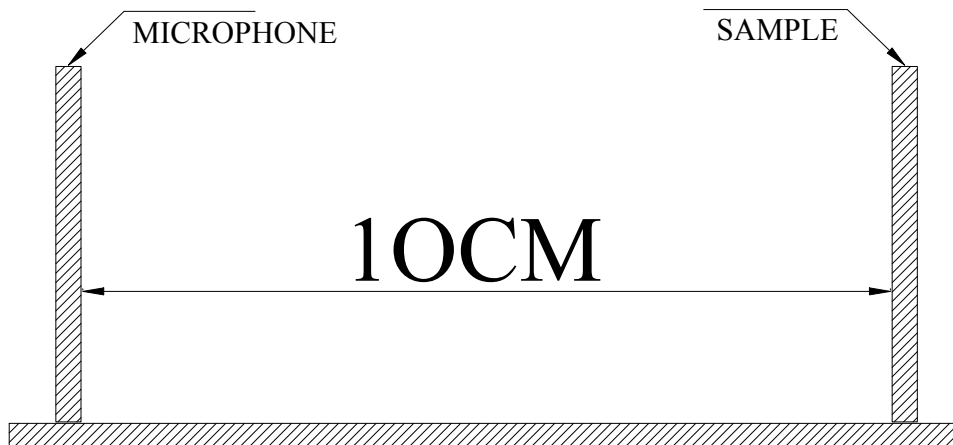
Temperature: $25 \pm 2^\circ\text{C}$ Humidity: 45-60%

• **Acoustic Characteristics**

The oscillation frequency, current consumption and sound pressure are measured by the measuring instruments shown below.



In the measuring test, buzzer is placed as follows:



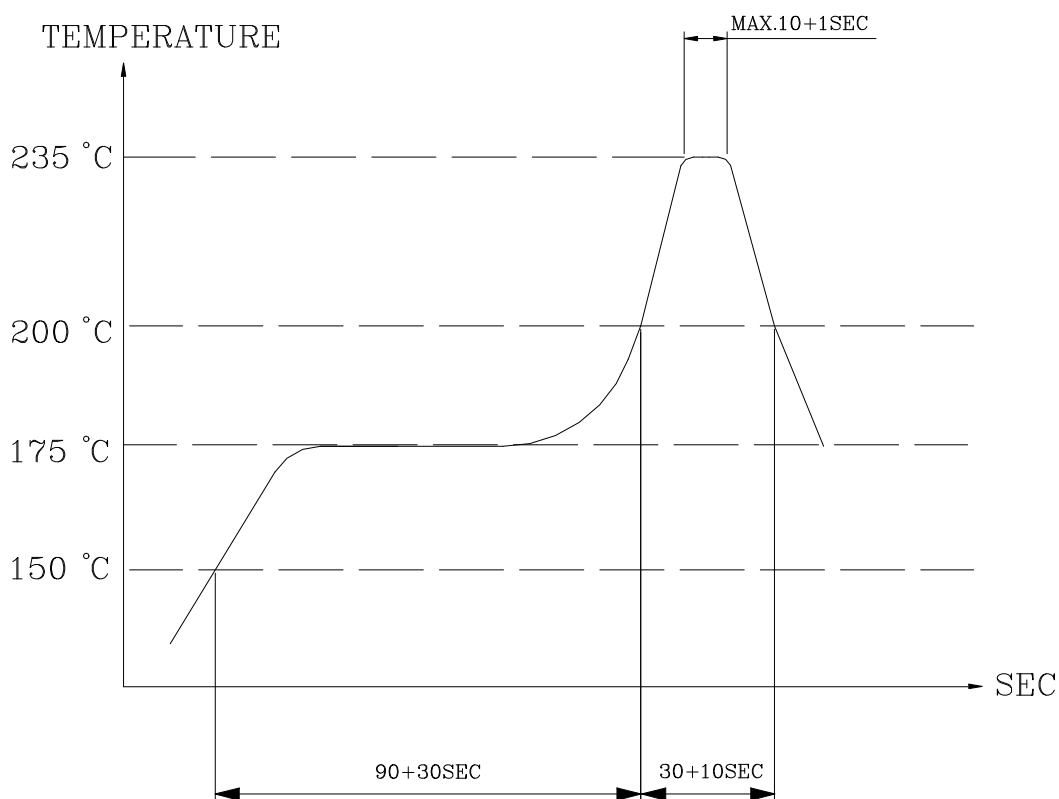
5. RELIABILITY

ITEMS	METHOD OF TEST AND MEASUREMENTS	PERFORMANCE
<i>Coldness withstanding</i>	<i>After 98 hours of being exposed to -30 °C environment, should be returned to normal environment for 2 hours, then re-proceed to test.</i>	<i>No abnormality shall exist</i>
<i>Hotness withstanding</i>	<i>After 98 hours of being exposed to +100 °C environment, should be returned to normal environment for 2 hours, then re-proceed to test.</i>	<i>No abnormality shall exist</i>
<i>Humidity withstanding</i>	<i>After 98 hours of being exposed to 40 °C 95%RH environment in actual operation, should be returned to normal environment for 2 hours, then re-proceed to test.</i>	<i>No abnormality shall exist</i>
<i>Durability</i>	<i>Testing after 1,000 hours actual continuous operation.(at standard measurement conditions)</i>	<i>No abnormality shall exist</i>
<i>Drop withstanding</i>	<i>A natural drop from 75cm high down to the ground.</i>	<i>No abnormality shall exist</i>
<i>Vibration withstanding</i>	<i>Vibration of 2,000 cycles per minute, 2mm amplitude, applied in X, Y and Z directions for 30 minutes each.</i>	<i>No abnormality shall exist</i>

6.Soldering Condition

(1) *Recommendable reflow soldering condition is as follows
(Reflow soldering is twice)*

*Note: It is requested that reflow soldering should be executed
after heat of product goes down to normal.*



Heat resistant line

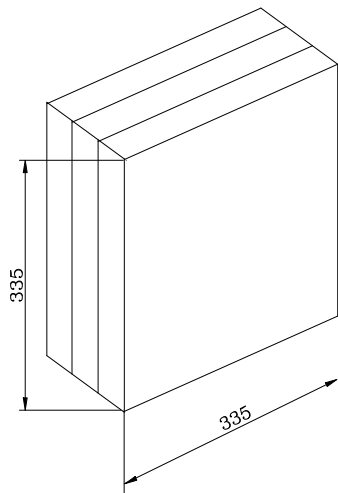
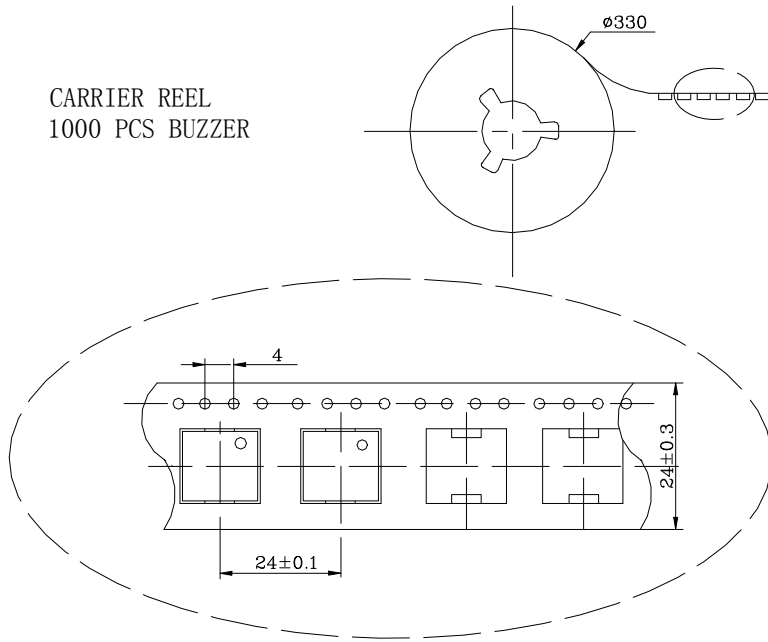
(Used when heat resistant reliability test is performed)

(2) *Manual soldering*

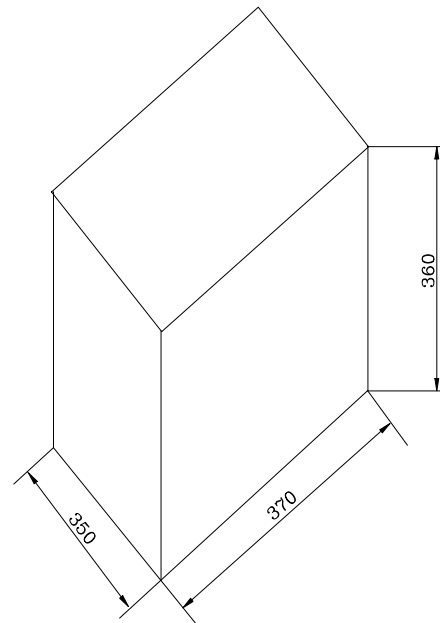
Manual soldering temperature 350 C within 10 sec.

8. PACKAGE METHOD

CARRIER REEL
1000 PCS BUZZER



INNER BOX
1 ROLL CARRIER REEL



CARTON BOX
10 INNER BOX
10K PCS BUZZER

Unit:mm